

SL-1x.1

**General**

**sera** – suction lances type series SL-1... are used for the withdrawal of chemicals from tanks.

The suction lances can be mounted height adjustably into a tank cover (not within scope of delivery) or put directly into the tank.

Before commissioning and while operating the **sera** – suction lance the regulations valid at the place of in-stallation must be strictly observed.

**Caution !**



Pay attention to the safety data sheet of the medium conveyed! Take appropriate accident prevention measures to avoid that operators are endangered by the used conveying media!

The suction lances are only suitable for gas-tight operation in connection with the tank-bulkhead screw connections BSL-11.1!

**Range of use**

For dosing pumps with a flow capacity of max. 35 l/h and aqueous media (up to max. 50mPas) with a density of  $\geq 1 \text{ kg/dm}^3$ .

**Type key**

SL	-	1	2	.	1
①		②	③		④

1	designation
2	type
3	number of switching points <b>1</b> or <b>2</b> float switches
4	revision

**Design (materials)**

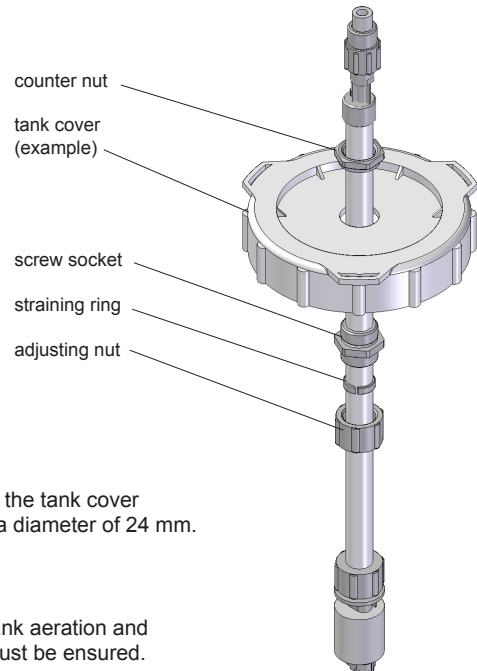
	PVC	PP
float	PP	
suction hose	PE	
ball	PTFE	
seals	FPM + EPDM	
remaining parts	PVC	PP

**Available lengths (L)**

600 mm	1000 mm	1200 mm
--------	---------	---------

**Assembly**

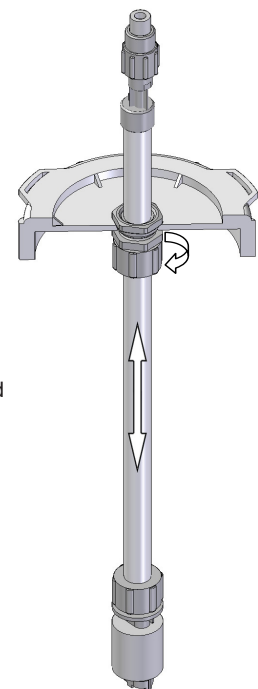
Example with tank cover



**Please note:**  
The boring in the tank cover should have a diameter of 24 mm.

**Please note:**  
A sufficient tank aeration and deaeration must be ensured.

**Height-adjusting**



After screwing the suction lance in the tank cover the suction lance can be adapted to the tank by adjusting the height.

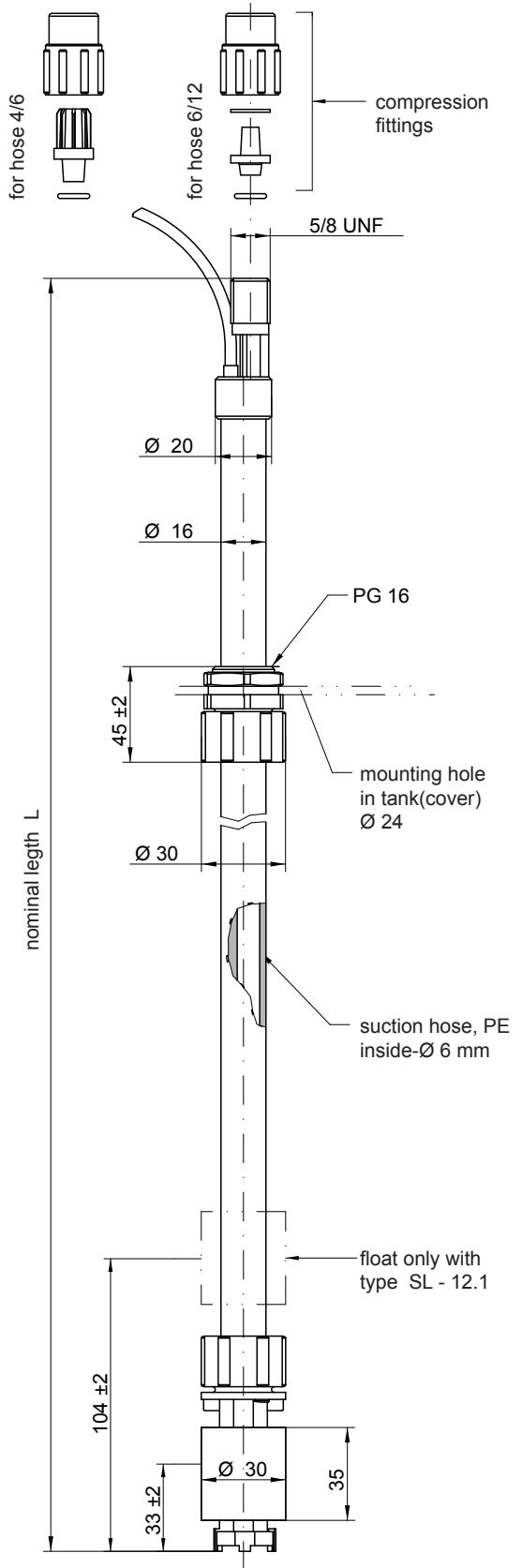
The adjusting nut is to be released. Now the suction lance can be moved in the cover.

If the requested position is achieved the adjusting nut must be tightened again.

The suction lance is stopped in its position by the straining ring.

SL-1x.1

**Dimensions**



**Technical data**

	SL-11.1	SL-12.1
max. turn-on voltage (V)	max. 50	
max. switching current (A)	0,5	
max. response power (W / VA)	10	
enclosure (top of lance)	IP 65 (IEC 529)	
enclosure (from lower edge screw cap)	IP 67 (IEC 529)	
temperature range	+ 3 °C . . . + 30 °C	

**Connections**

Compression fittings (with delivery)

4/6	for PE / PTFE-hose	up to 14 litres / hour
6/12	for PVC-Hose	up to 35 litres / hour

Materials of the medium-contacted components of the compression fitting

clamping piece	PP
cone	PVDF
sleeve	PP
o-ring	EPDM

**Caution !**

When critical media are used the ventilation and aeration must be connected to the exhaust system on site by means of suitable components.

SL-1x.1

**Cable/Adapter**

- 2 m cable with free cable ends



- 2 m cable with plug M12  
(for **sera** - C-series 204.1, 409.2, 410.2)



cable outlet with jack (mounted)  
(**sera** -Art.-no. 90022877)

**Adapters/Extensions**

- 5 m cable with plug M12 and jack M12  
(for **sera** - C-series 204.1, 409.2, 410.2)



cable plug  
(**sera**-Art.-no. 90022883)

cable with jack (gated)  
(**sera**-Art.-no. 90022888)

- 5m cable with plug M12 and jack M8  
(for **sera** - C-series 408.1, 409.1)



cable plug  
(**sera**-Art.-no. 90022883)

cable with jack (gated)  
(**sera**-Art.-no. 90008725)

**Connection/Pin configuration**

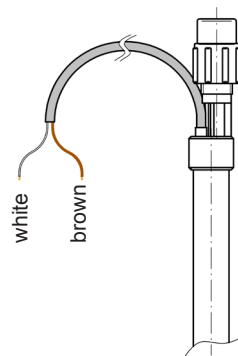
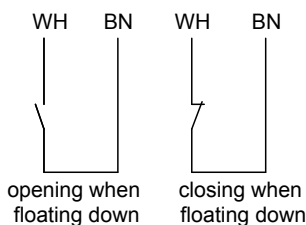
**Caution !**



When adapting or extending the cable please take into consideration that the conductor colouring/configuration changes!

SL 11.1

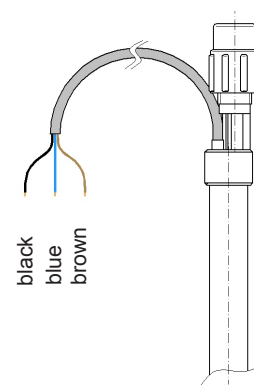
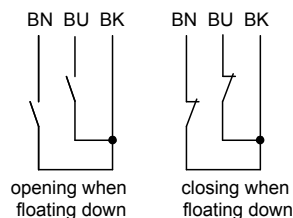
Circuit diagrams:



Pin (cable/plug)	Function	Wire (suction lance)	Wire (extension)
1	---	unassigned	unassigned
2	---	unassigned	unassigned
3	ground	white	blue
4	dry run	brown	black

SL 12.1

Circuit diagrams:



Pin (cable/plug)	Function	Wire (suction lance)	Wire (extension)
1	pre-alarm	blue	brown
2	---	unassigned	unassigned
3	ground	black	blue
4	dry run	brown	black

SL-1x.1

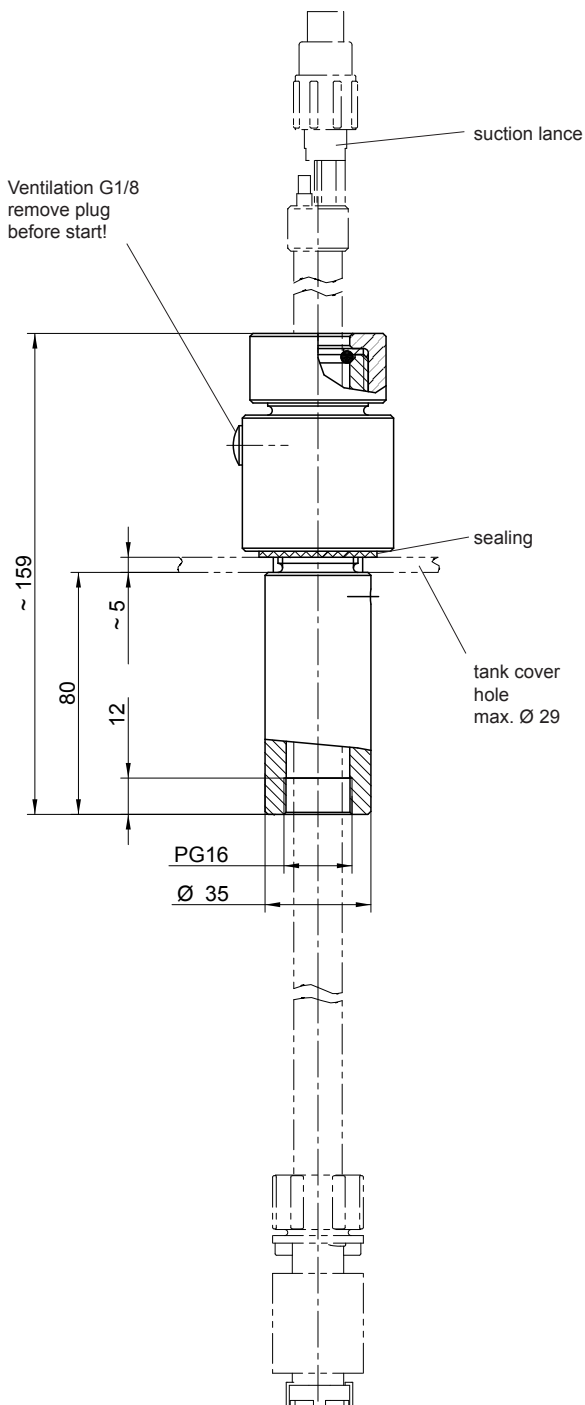
Option

Tank-bulkhead screw connection BSL-11.1

General

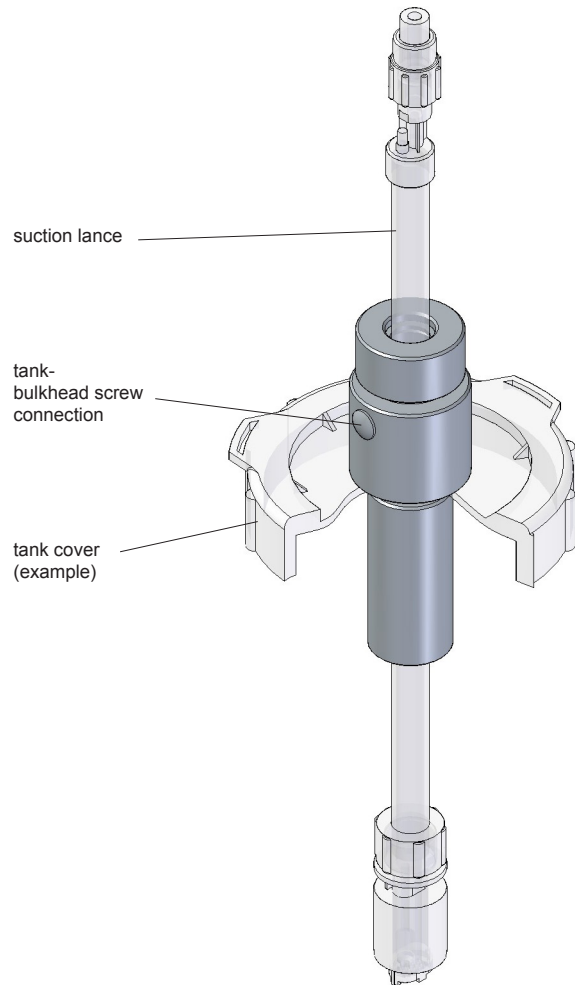
The tank-bulkhead screw connection BSL-11.1 is for the tight and gas-tight mounting of the suction lances SL-11.1 and SL-12.1 in tanks and suitable drum covers.

Dimensions



Design (Materials)

tank-bulkhead screw connection	PVC, PP
seals	EPDM, FPM



Type code

BSL	-	11	.	1
①		②		③

1	type
2	suitable for SL-11.1 and SL-12.1
3	revision