

NEW

In-line Brix Monitor

CM-800α

Simplicity at Its Best. Powerful and Versatile Process Measurement.

This new addition to the popular CM series is highly customizable to fit a wide range of applications. The improved accuracy of $\pm 0.1\%$ spans across the newly extended range of 0 to 80% Brix.

Special Order Options

SUS316L
customizable

PROFIBUS
compatible

VARIVENT
compatible

VARIVENT® is a registered trademark of GEA Tuchenhausen.



Front



Back

Cat.No.3564

● Features

NEW Wetted parts were flattened.

- Process temperature range of -30 to 150°C
- Suitable for CIP/SIP operations
- User-programmable coefficient for Automatic Temperature Compensation (ATC)

● Fitting Options *Contact ATAGO for customization options.

IDF/ISO clamp union (ferrule)	1S to 3S	
IDF/ISO screw union (screw)	1S to 3S	
JIS Flange	25A to 65A	
IDF/ISO clamp union (ferrule)	1S to 3S	
IDF/ISO screw union (screw)	1S to 3S	
JIS Flange	25A to 65A	
Compression Fitting	10mmΦ	
Hose connector	12mmΦ	

● AC adapter

The AC adapter used to convert AC100-240V to DC24V and to supply power to the CM-800α.

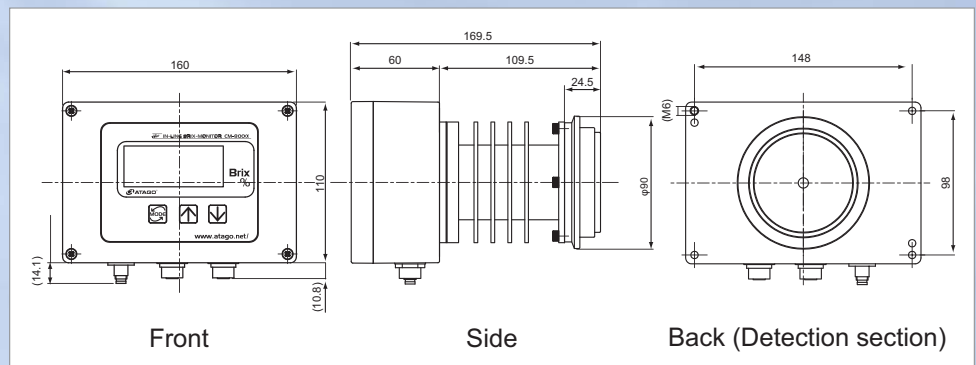


- AD-32 (AC100V) Cat.No.3527
- AD-33 (AC110-120V) Cat.No.3528
- AD-34 (AC220-240V) Cat.No.3529

● Specifications

Measurement scale	Brix (ATC according to the sample liquid)
Measurement range	Brix 0.0 to 80.0%
Resolution	Brix 0.01 or 0.1 (With an option to display measurements between 0.00 and 9.99% to the 2nd decimal place)
Measurement accuracy	Brix $\pm 0.1\%$
Measurement temperature	5 to 100°C (ATC)
Wetted parts temperature	-30 to 150°C
Ambient temperature	5 to 40°C
Output method	RS-232C, DC 4 to 20mA
Wetted parts materials	Prism : Sapphire Prism stage : SUS316
International Protection class	IP64 Water resistant
Power supply	DC24V
Dimensions and weight	16×17×11cm, 2.4kg

● Dimensions



*Contact ATAGO if you are interesting in using the CM series to measure other types of solution.

All ATAGO refractometers are designed and manufactured in Japan.

HACCP GMP GLP

ATAGO products comply with HACCP, GMP, and GLP standards.



ATAGO CO., LTD.

The Front Tower Shiba Koen, 23rd Floor 2-6-3 Shiba-koen, Minato-ku, Tokyo 105-0011, Japan
TEL: 81-3-3431-1943 FAX: 81-3-3431-1945 overseas@atago.net http://www.atago.net/

* Specifications and appearance are subject to change without notice.

ENV.04 1405K Printed in Japan